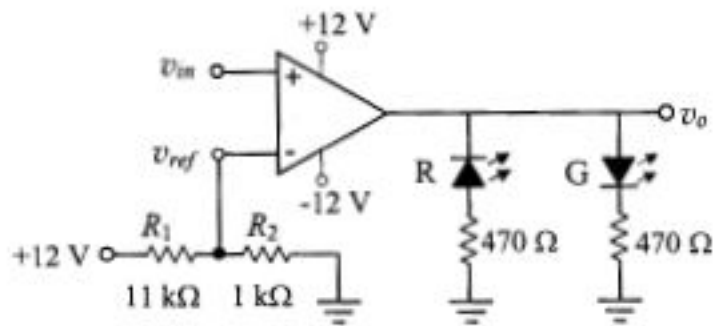
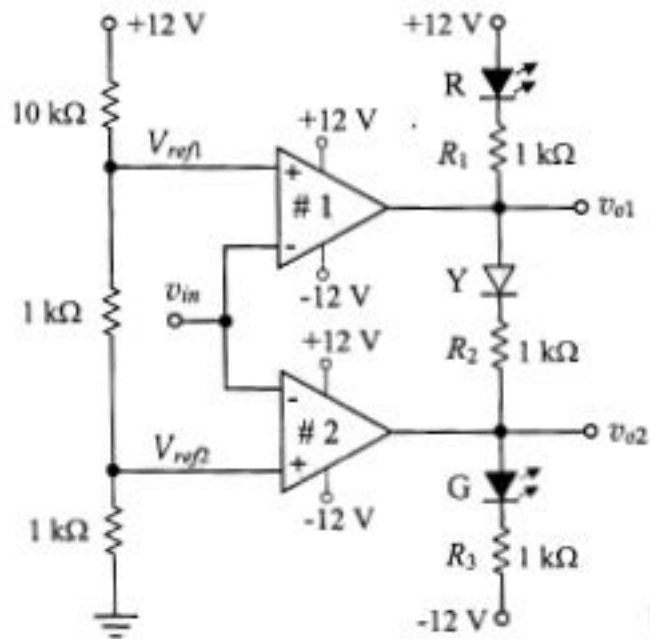


## Open Loop Op-Amp LED Driver Circuits



$v_{in}$	R	G
0.5 V	ON	OFF
1.5 V	OFF	ON

Op-amp as LED driver



$v_{in}$	R	Y	G
0.5 V	OFF	OFF	ON
1.5 V	OFF	ON	OFF
2.5 V	ON	OFF	OFF

Op-amp as LED driver